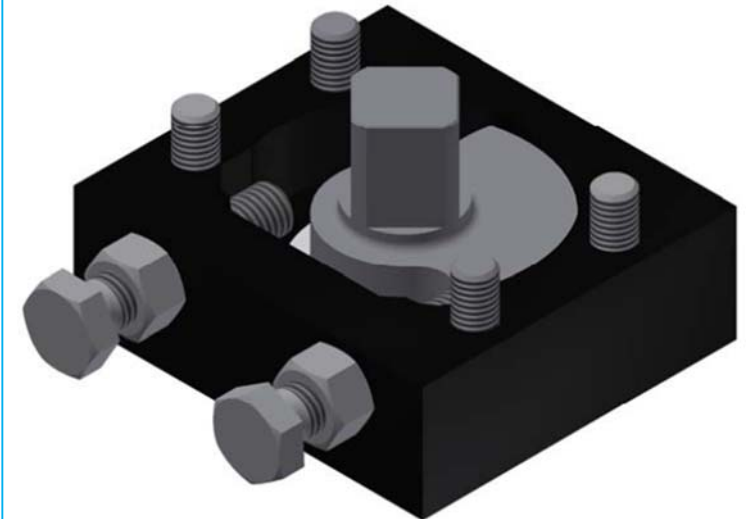
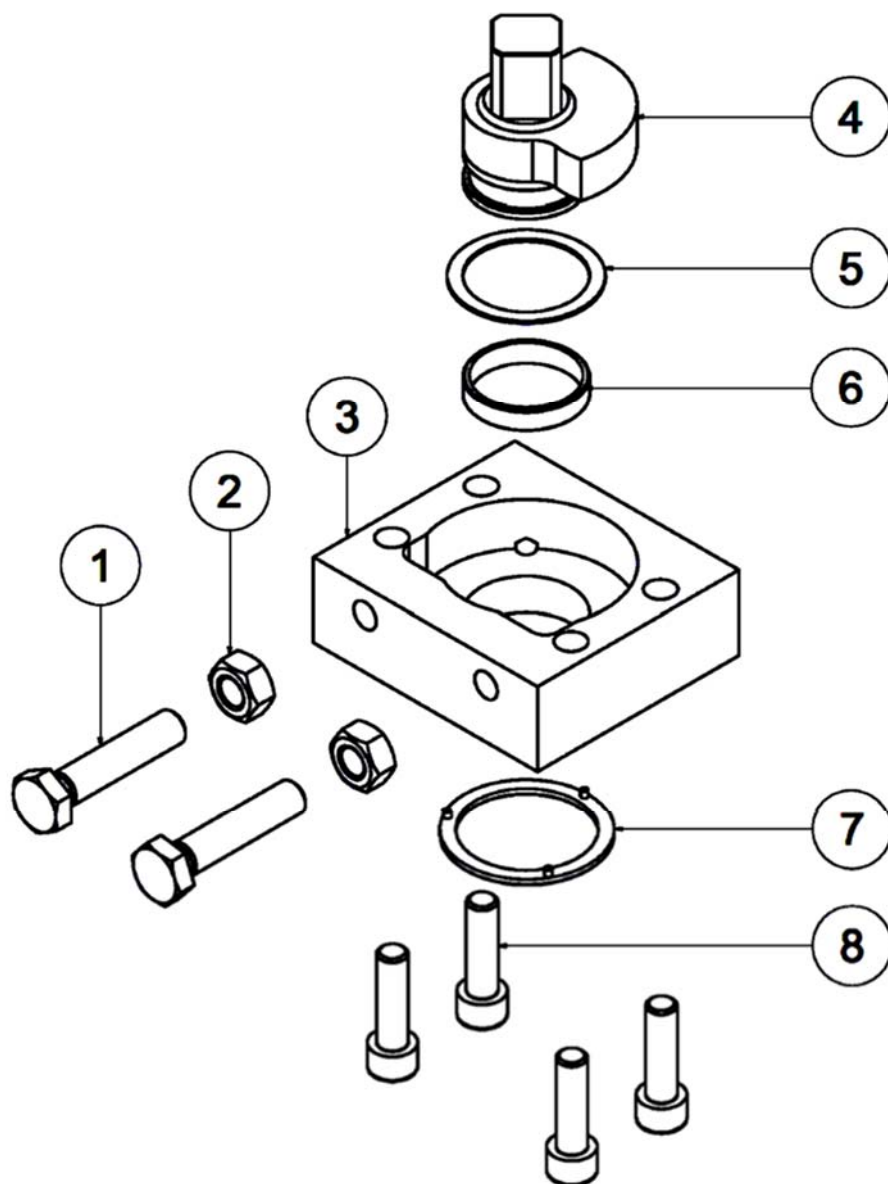


## Technical data

<b>Design :</b>	Optional stroke limiting module for AMG-Pesch rotary actuators
<b>Design Feature :</b>	The stroke limiting module is used for the stroke adjustment of the AMG swing actuator in both end positions. Additional holes are inserted into the drive housing for mounting or must be inserted if necessary. Double flange connection according to DIN EN ISO 5211 suitable for direct mounting or mounting kits with separate centering ring 0°-90°, rotary angle adjustable in both end positions + / - 5°, <b>(the rotary angle in the end positions of the actuator must be considered separately)</b>
<b>Rotary angle :</b>	0°-90°, rotary angle adjustable in both end positions + / - 5°, <b>(the rotary angle in the end positions of the actuator must be considered separately)</b>
<b>Ambient temperature :</b>	-25°C bis +80°C (optional: max. +100°C, min. -40°C)
<b>Installation :</b>	<b>arbitrary, connection dimensions to the valve equal to the actuator</b>
<b>Corrosion resistance :</b>	Industrial atmosphere
<b>Lubrication :</b>	Lifetime lubrication with grease ISO 51825-K2K-30
<b>Surface protection :</b>	<b>anodized Body</b>
<b>Coating options:</b>	hard coating, chemical nickel plating, plastic coating, special finish,
<b>Options :</b>	Sealing caps for covering the limiting screws to prevent unwanted adjustment of the swivel angle Customized angle of rotation e.g. 30 ° or 75 ° Fittings and nuts in stainless steel Alternative connection flange according to DIN EN ISO 5211 Alternative interior Variable rotation direction (right / left)
<b>Maintenance and Inspection :</b>	The AMG-Pesch stroke-limiting module is maintenance-free during the service life Prerequisites for this are: <ul style="list-style-type: none"> <li>• Reasonable design of the stroke limiter module</li> <li>• Normal environmental conditions</li> <li>• Compliance with the intended use</li> </ul> (Please refer to our SAD / SAF - BR16 assembly instructions) In principle, work on power operated by auxiliary power is prohibited (only work on pressureless actuator). Work on the actuator may only be carried out by trained personnel The applicable accident prevention regulations must be observed for all work

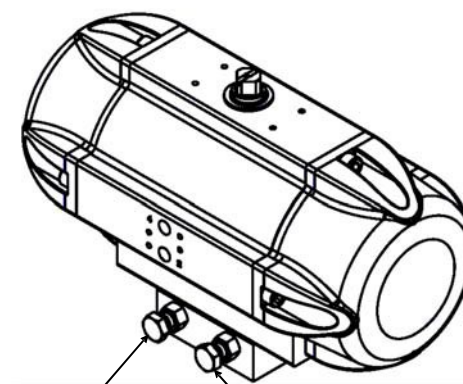


**AMG-PESCH Stroke limit**



Design	Stroke Limit		
	Position	Qty	Description
1	2x	Stop screw	Galvanized steel <sup>*)</sup>
2	2x	Lock nut	Galvanized steel <sup>*)</sup>
3	1x	Body	Anodised aluminium
4	1x	Stop wave	Stainless steel
5	1x	Bearing plates	Sliding material
6	1x	Plain bearing	Sliding material
7	1x	Centering ring <sup>**)</sup>	Synthetic material
8	4x / 8x	Fixing screws	Galvanized steel <sup>*)</sup>

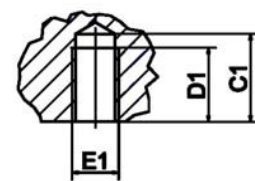
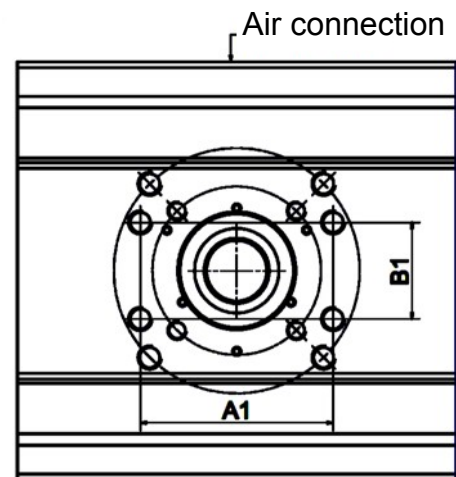
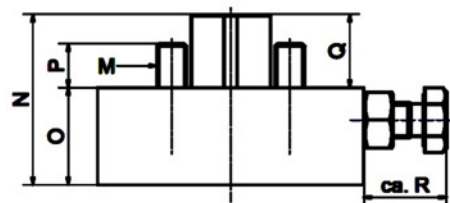
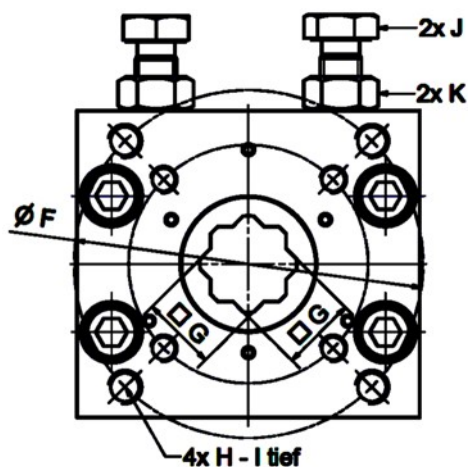
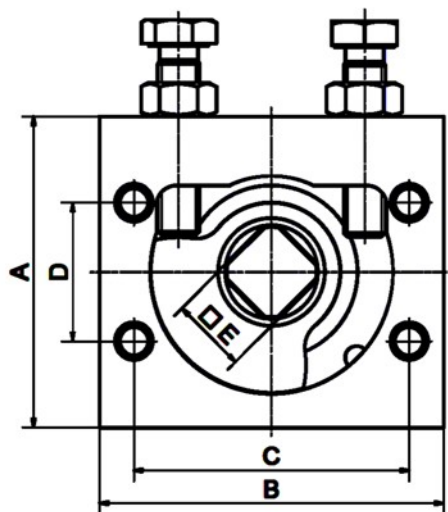
<sup>\*)</sup> Alternative materials on request  
<sup>\*\*)</sup> Centering ring belongs to actuator separately available



Limitation of ON-Position      Limitation of OFF-Position

Design	Stroke Limit																			Housing bores for actuator					
	A	B	C	D	□ E	∅ F	□ G	H	I	J	K	M	N	O	P	Q	R	Connection ISO 5211	Article-number	A1	B1	C1	D1	E1	Qty
10_15	70	80	64	34	14	50 / 70	14	M6 / M8	10/13 / 12/14	M10x50	M10	M6x30	42,5	33	9,5	15,5	22	F05 / F07	229344	64	34	13	10	M6	4x
20	70	95	75	40	17	70 / 50	17	M8 / M6	12/14 / 10/13	M10x50	M10	M8x30	47	27	12	20	22	F07 / F05	229383	75	40	16	13	M8	4x
25	90	100	80	40	17	70 / 102	17	M8 / M10	13/16 / 16/19	M12x55	M12	M10x35	53	33	15	20	28	F07 / F10	229384	80	40	19	16	M10	4x
30	90	100	80	40	22	102 / 70	22	M10 / M8	16/19 / 13/16	M12x55	M12	M10x35	58	33	15	25	28	F10 / F07	229385	80	40	19	16	M10	4x
33_35	108	170	138	76	27	125 / 102	27	M12 / M10	19/21 / 16/19	M16x65	M16	M16x45	73	44	18	29	32	F12 / F10	229386	138	76	22	19	M16	4x

\*) Article number der Standard variant: SL 90°, adjustment range +/- 8°, Aluminium anodized body, Screws and nut in galvanized steel, without centering, Universal grease

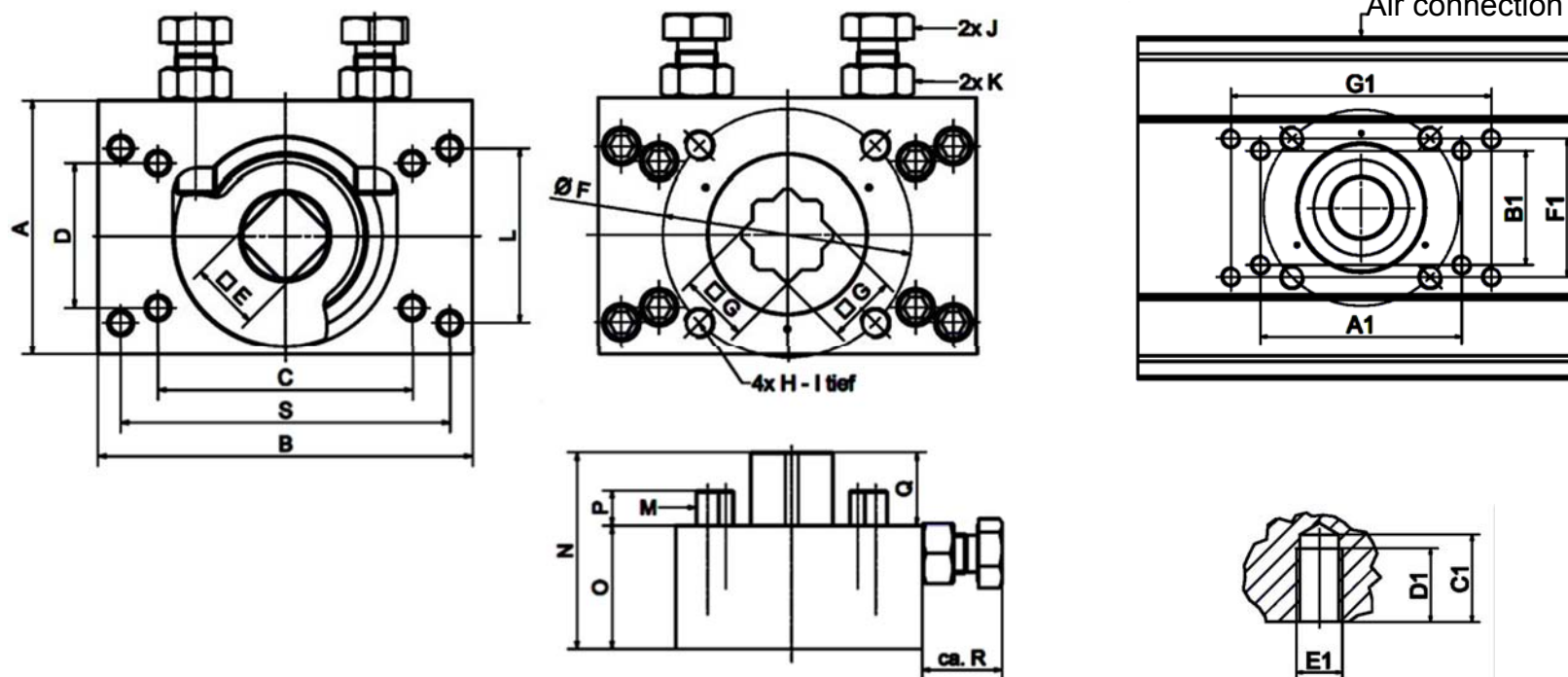


Design	Stroke Limit																			Connection ISO 5211	Article-number <sup>**</sup>
	A	B	C	D	□ E	∅ F	□ G	H	I	J	K	L	M	N	O	P	Q	R	S		
40_42	150	170	140	40	36	140 / 102	36	M16 / M10	25/28 / 16/19	M24x90	M24	100	M12x65	100,5	61,5	18	39	56	140	F14 / F10	229387
43_45	170	250	170	96 <sup>**</sup> )	46	165	46	M20	32/36	M27x100	M27	116 <sup>**</sup> )	M16x80	134,5	84,5	24	50	56	220	F16	229388

Design	Housing bores for actuator							
	A1	B1	C1	D1	E1	F1	G1	Qty
40_42	140	40	21	18	M12	100	140	8x
43_45	170	96	27	24	M16	116	220	8x

\*) Article number der Standard variant: SL 90°, adjustment range +/- 8°, Aluminium anodized body, Screws and nut in galvanized steel, without centering, Universal grease

\*\*\*) Attention eccentricly (96 in 53 and 43, 116 in 63 and 53)



Design	Stroke Limit																		
Size	A	B	∅C	D	□E	∅F	□G	H	I	J	K	M	N	O	P	Q	R	Connection ISO 5211	Article-number
50	265	350	320	8x 22,5°	55	254	55	M16	25/30	M36x150	M36	M20x90	146,5	89	30	57,5	80	F25	229389

Design	Housing bores for actuator					
Size	∅A1	B1	C1	D1	E1	Qty
50	320	8x 22,5°	38	35	M20	8x

\*) Article number der Standard variant: SL 90°, adjustment range +/- 8°, Aluminium anodized body, Screws and nut in galvanized steel, without centering, Universal grease

