



5 A; '!'D9 G7 < ; a V< g\ cfhXYgW]dh]cb Type SAD-M-03

; YbYfU

- Angle of rotation 0° / 90° / 180°
- Mechanically limited center position Mittelstellung on 90°
- Switch possibilities 0°-90°-180° / 180°-90°-0° / 0°-180° / 180°-0°
- Flange connection acc. to DIN ISO 5211 for automatically actuating of multi-way valves
- Control medium : Compressed air
- Control pressure: up to 8 bar

5 b[`YcZfcH]cb SAD 180° / 90°

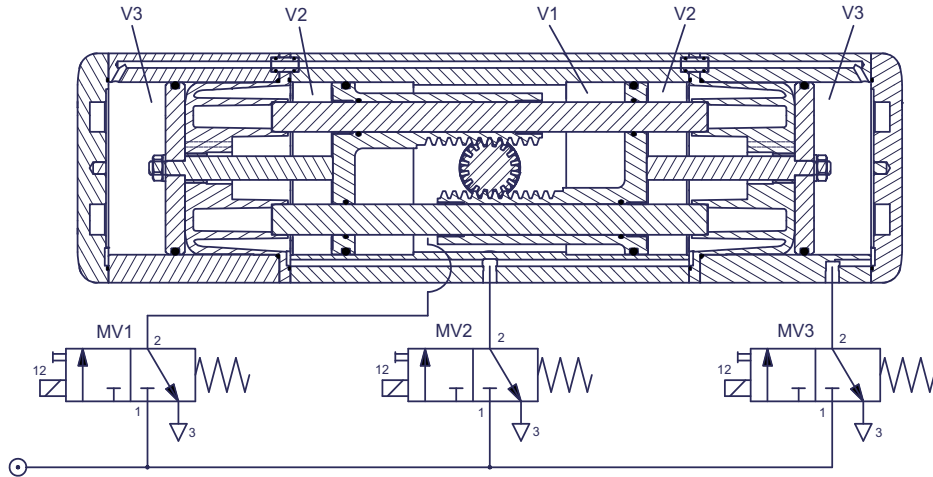
(Angle of rotation informations are mean values)

TypY	7 cbbYW]b['ZUb[Y DIN ISO 5211	CB	C: :	90°
15	F05V	181,32°	-1,074°	90,48°
20	F07V	181,32	-1,074°	90,48°
25	F07V	181,29°	-0,985°	90,24°
30	F10V	181,27°	-1,218°	90,10°
33	F12V	181,14°	-1,015°	90,12°
35	F12V	181,17°	-1,114°	90,08°
42	F14V	181,16°	-1,07°	90,16°



AWj Ujcb'cZSAD-M 180° GYfjY 03
k jH 3x3/2- WUmj Uj Y

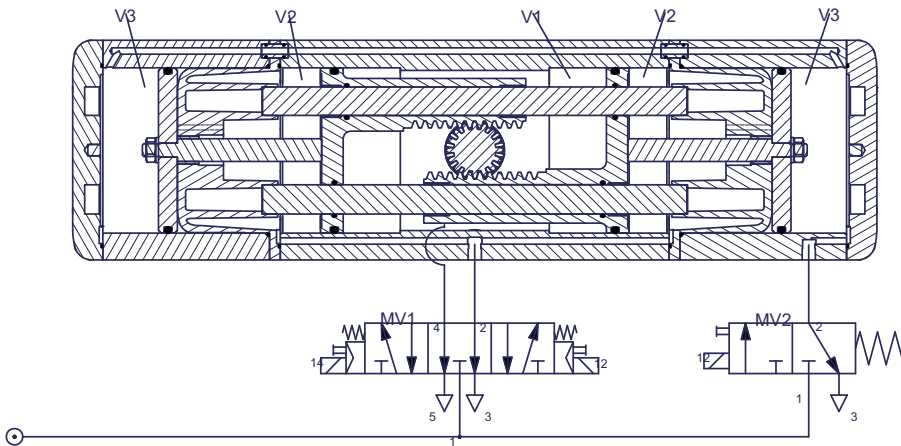
in 90° Center position



Switchposition from - to	MV1 12	MV2 12	MV3 12
0° - 90°	1	0	1
90° - 180°	1	0	0
180° - 90°	0	0	1
90° - 0°	0	1	1
0° - 180°	1	0	0
180° - 0°	0	1	1

5 Wj Ujcb'cZG5 8 !A '% \$šGYfjY \$'
k jH 1x 3/2-WUmj Uj Y, 1x 5/3-WUmj Uj Y

in 90° Center position



Switchposition from - to	MV1 14	MV2 12	MV3 12
0° - 90°	1	0	1
90° - 180°	1	0	0
180° - 90°	0	0	1
90° - 0°	0	1	1
0° - 180°	1	0	0
180° - 0°	0	1	1